

EP2000 Series Low Frequency Pure Sine Wave Inverter

Feature:

- Wide input voltage range
- Built in AVR.
- LED/LCD option.
- Super transformer.
- Max charge current 25A.
- Generator compatible.
- Overload and short circuit protection
- Cold start function
- Pure sine wave output

Front Panel

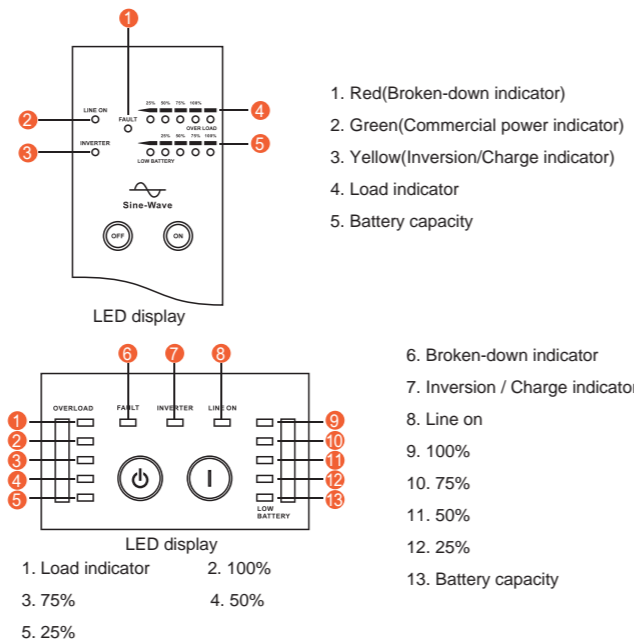
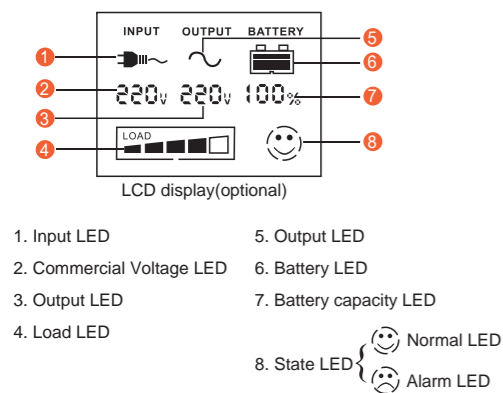
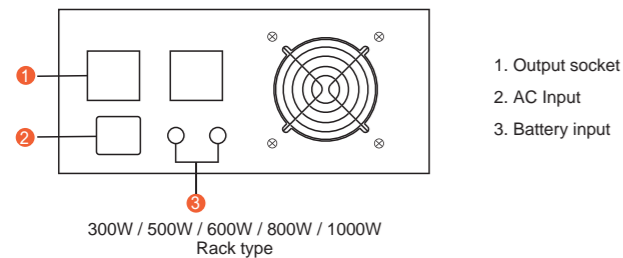
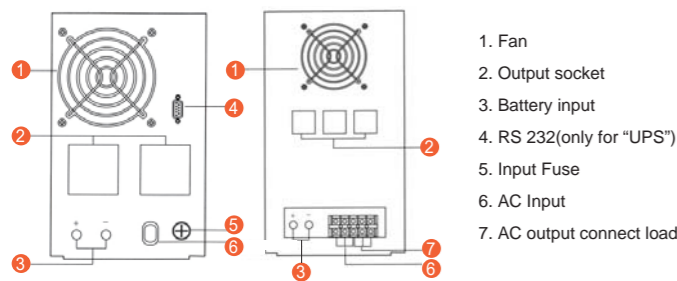


Introduction:

This manual contains information regarding the installation, operation and use of the equipment.

It is advised that this User's Manual should be consulted before installation of the equipment, which operation shall only be carried out by qualified personnel. Thereafter, it shall be kept and referred to whenever it is necessary to carry out work on the equipment.

LCD Display Information



Back Panel



Specification

MODEL(EP20-)	300	500	600	800	1000	600T	1000T	1500T	2000T	3000T	4000T	6000T	8000T	10000T		
Nominal Battery System Voltage	12VDC		12VDC	12VDC	12VDC/24VDC	12VDC	12VDC/24VDC	24VDC	48VDC	96VDC						
INVERTER OUTPUT	Rated Power		300W	500W	600W	800W	1000W	600W	1000W	1500W	2000W	3000W	4000W	6000W	8000W	10000W
	Waveform															
	Pure sine wave															
	Nominal Output Voltage RMS															
	100V/110V/120VAC 220V/230V/240VAC(+/-10% RMS) 220V/230V/240VAC(+/-10% RMS)															
	Output Frequency															
	50Hz/60Hz +/-0.3 Hz															
	Inverter Efficiency(Peak)															
	>80%															
	Line Mode Efficiency															
	>95%															
	Power Factor															
	1.0															
	Typical Transfer Time															
	Typical 2-6ms ,10ms max															
AC INPUT	Nominal Voltage															
	100V/110V/120VAC 220V/230V/240VAC 220V/230V/240VAC															
	Voltage Range															
	96-132VAC/145-275VAC(For Personal Computers) 145-275VAC(For Personal Computers)															
	Frequency Range															
	50Hz/60Hz (Auto sensing 44-68Hz)															
BATTERY	Nominal Input Voltage															
	12VDC 12VDC/24VDC 12VDC 12VDC/24VDC 24VDC 48VDC 96VDC															
	Minimum Start Voltage															
	10.5VDC /21.0VDC/42VDC/84VDC															
	Low Battery Alarm															
	10.5±0.3V /21VDC±0.6V/42VDC±1.2V/84VDC±2.4V															
	Low Battery Cutoff															
	10.0±0.3V/20VDC±0.6V/40VDC±1.2V/80VDC±2.4V															
	High Voltage Alarm															
	15.5±0.3V/31VDC±0.6V/62VDC±1.2V/124VDC±2.4V															
	High Battery Voltage Recover															
	15.0±0.3V/30VDC±0.6V/60VDC±1.2V/120VDC±2.4V															
CHARGER	Charger Voltage															
	14V±0.2V/28V±0.4V/56V±0.8V/112V±1.2V															
	Overcharge Protection S.D.															
	15.5VDC/31VDC/62VDC/124VDC															
	Maximum Charge Current															
	15A-25A															
BYPASS & PROTECTION	Nominal Input Frequency															
	50Hz or 60Hz															
	Overload Protection(SMPS Load)															
	IPS automatically shutdown if overload exceeds 120% of normal value for 30 seconds IPS automatically resume work if overload comes back to rated load															
	Output Short Circuit Protection															
	FUSE Circuit breaker															
	Bypass Fuse Rating															
	10A 15A 30A 50A															
	Max Bypass Current															
	10A 15A 30A 50A															
MECHANICAL SPECIFICATIONS	Dimensions(W*H*D)(mm)															
	265*120*295 140*182*380 190*350*450 260*750*570															
	Net Weight(kg)															
	7.0 9.5 10.5 12 12.5 11 12 24.2 27.4 29.5 33 41 47 53															
	Shipping Dimensions(W*H*D)(mm)															
	316*185*377 215*285*465 325*473*595 480*1030*720															
	Shipping Weight(kg)															
	7.5 10 11 12.5 13 12 13.2 26.9 30.1 33.2 35.7 55 61 67															
OTHER	Operation Temperature Range															
	0°C to 40°C															
	Audible Noise															
	60dB MAX															
	Display															
	LED or LCD Optional															
	Loading(20GP/40GP/40HQ)															
	1200pcs / 2400pcs / 2800pcs 950pcs/2100pcs/2300pcs 270pcs / 500pcs / 600pcs 60pcs / 110pcs / 140pcs															

* Product specifications are subject to change without further notice.

Approximate Back-up Time Table

Power Rate(w)	backup time(H) @1*100Ah	backup time(H) @2*100Ah	backup time(H) @4*100Ah	backup time(H) @4*200Ah	backup time(H) @8*200Ah
300	3.5	7	14	28	
500	2.1	4.2	8.4	16.8	
600	1.75	3.5	7	14	
800	1.3	2.6	5.2	10.4	
1000	1	2.1	4.2	8.4	
2000		0.4806	1.602	3.50304	7.6896
3000		0.2848	0.8544	2.136	4.8146
4000			0.4806	1.602	3.50304
6000			0.2848	0.8544	2.136
8000					2.4
10000					1.7